

Part 1 Installation

Electrical
Continued
C - Wiring
Instructions
Continued

120V Intermittent Pilot Version with Siemens Flame Safeguard

PANEL NEUTRAL

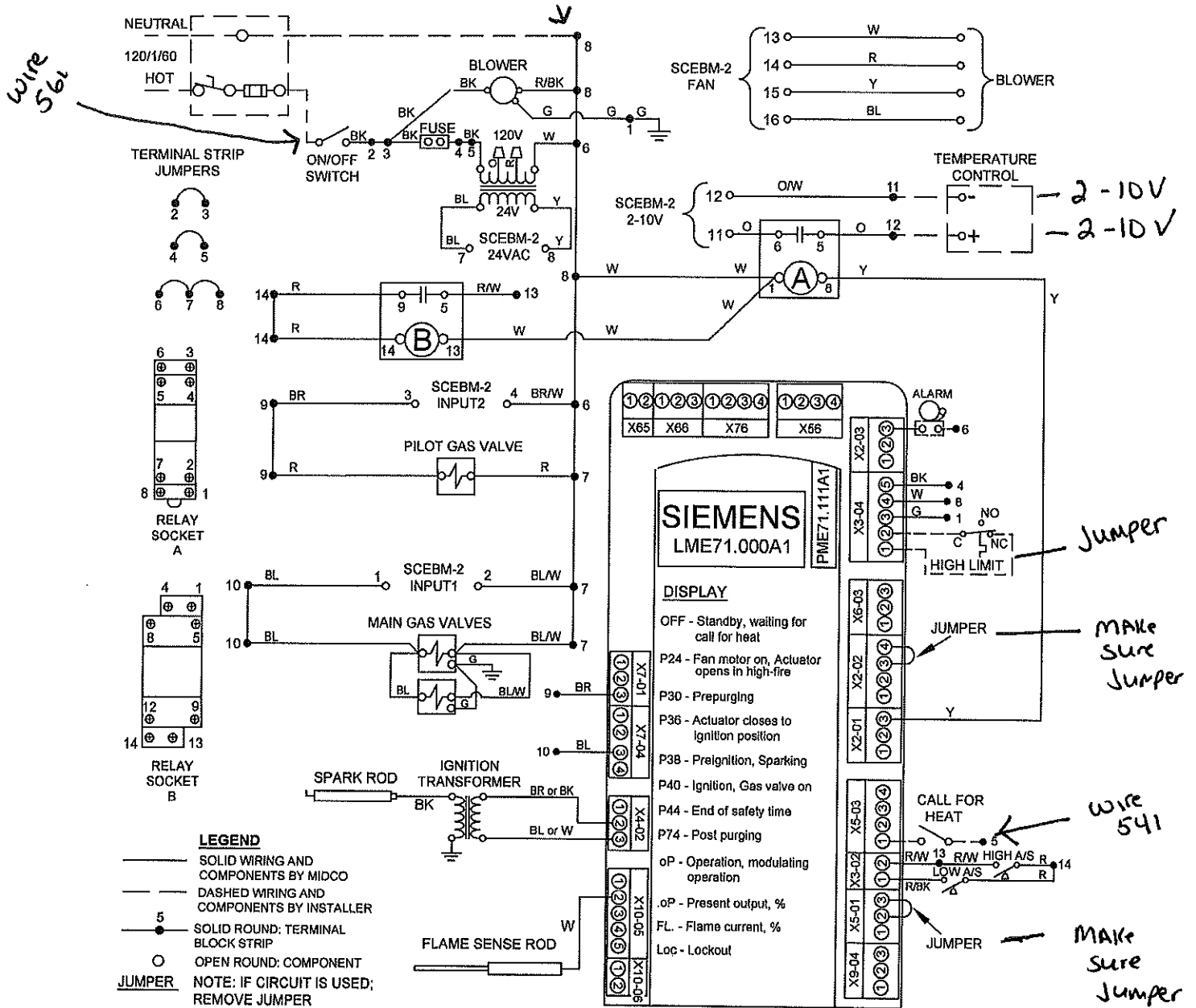


Figure 4C: Wiring Diagram for the VA series models
120V Intermittent Pilot Version with Siemens Flame Safeguard

Please note that the following safeties are terminated in the main control panel.

- Exhaust Fan Air Proving
- Recirculation Fan Air Proving
- Cabin High Temperature
- Oven High Limit Temperature

Please ensure that the following terminals are jumped on the Siemens LME71 oven controller. If Factory jumper wires are not present, please jump with #16 AWG THHN or MTW. Please follow all local and national electrical codes.

- Terminal X3-04 Pin 1 and 2
- Terminal X2-02 Pins 3 and 4
- Terminal X5-01 Pins 2 and 3

3. **Main gas solenoid valve wiring:** Connect the main gas valve wires from the gas valves to the appropriate terminals on the terminal strip. There are three wires that need to be connected:
 - 120V Burner Models:**
 - for **Honeywell control** - 2 (Blue), 7 (Blue/White) and 12 (Green) (refer to Figures 4A and 4B).
 - for **Siemens control** - 8 (Blue), 5 (Blue/White) and 1 (Green) (refer to Figures 4C and 4D).
 - 24V Burner Models:**
 - L (Blue) N (Blue/White) and G (Green). (refer to Figures 4E)
4. **Call for Heat:** The call for heat circuit should be wired between:
 - for **Honeywell control** - terminals 8 and 15 (refer to Figures 4A and 4B).
 - for **Siemens control** - terminal 3 to Siemens X5-03 1 (refer to Figures 4C and 4D).

The switch should be capable of handling the full current load of the burner.
5. **(Optional) Gas pressure switch and proof of closure wiring:** If applicable, connect the wires from the gas pressure switches and/or proof of closure switch to the corresponding terminals inside the control box. Refer to the wiring diagram inside the control box door for additional information.

120V Intermittent Pilot Version with Honeywell Flame Safeguard

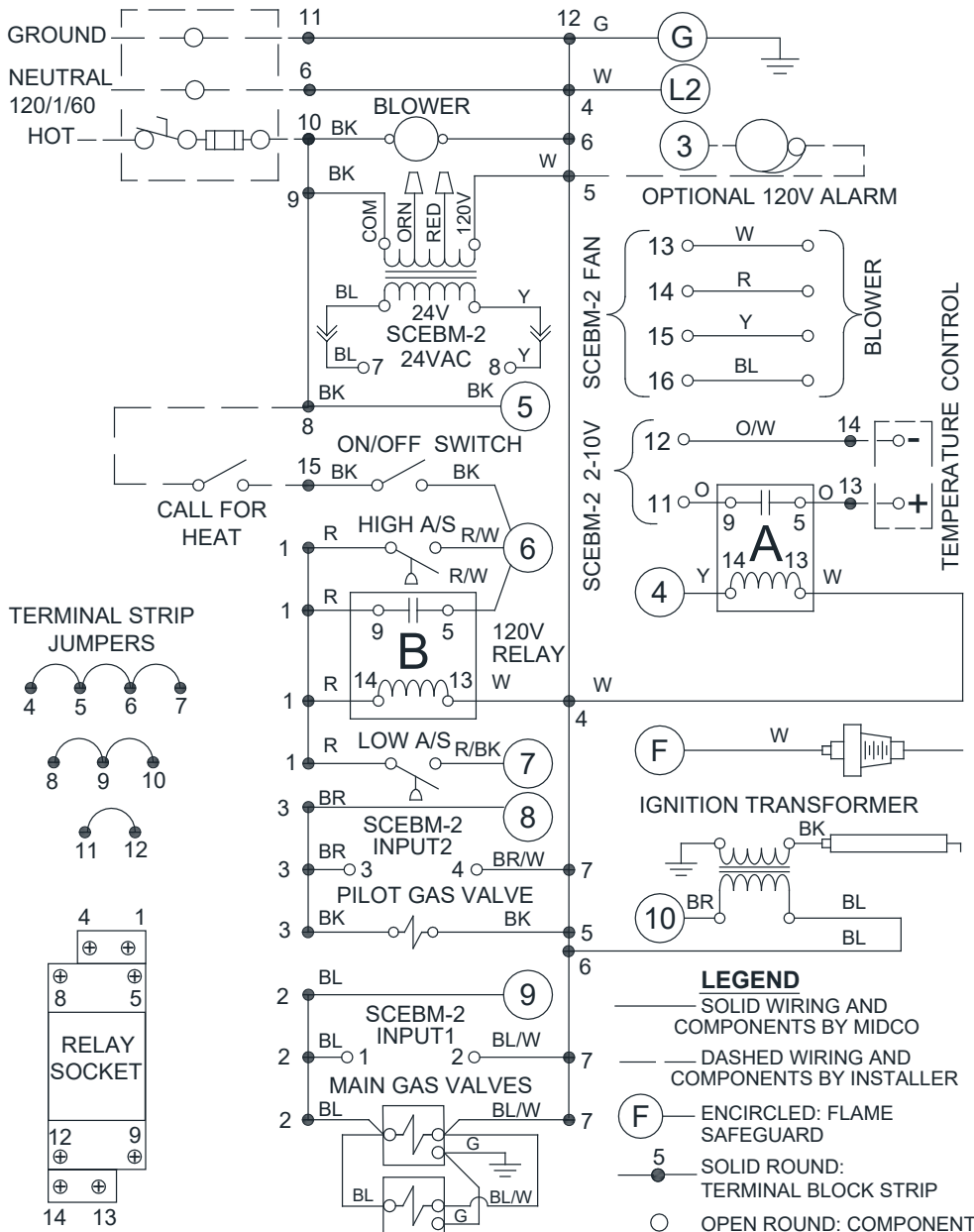


Figure 4A: Wiring Diagram for the VA series models
120V Intermittent Pilot Version with Honeywell Flame Safeguard
Midco International Inc.

Part 1 Installation

V *Electrical*
Continued
 C - *Wiring*
Instructions
Continued

120V UV Interrupted Pilot Version with Honeywell Flame Safeguard

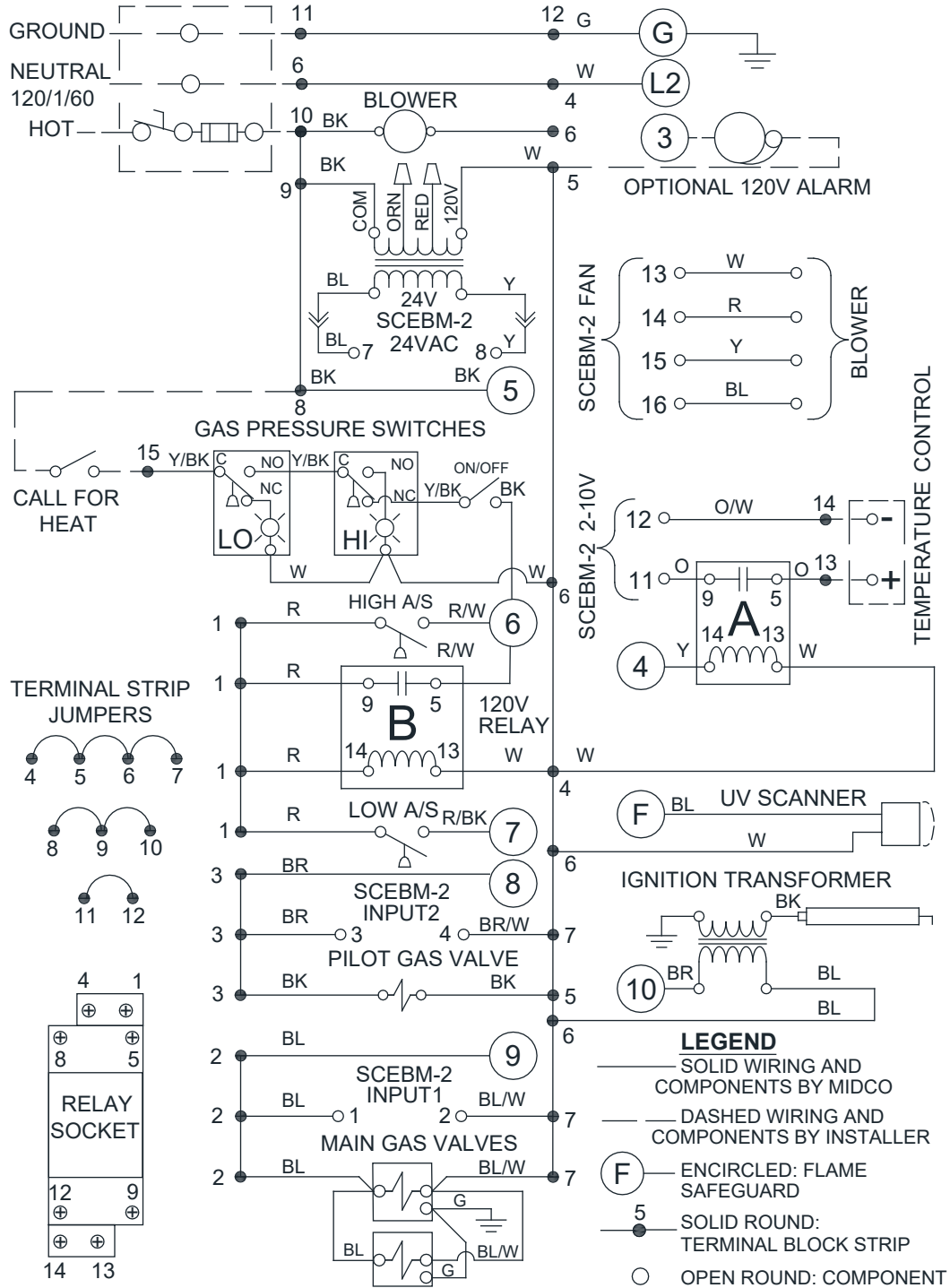


Figure 4B: Wiring Diagram for the VA series models
 120V UV Interrupted Pilot Version with Honeywell Flame Safeguard

120V Intermittent Pilot Version with Siemens Flame Safeguard

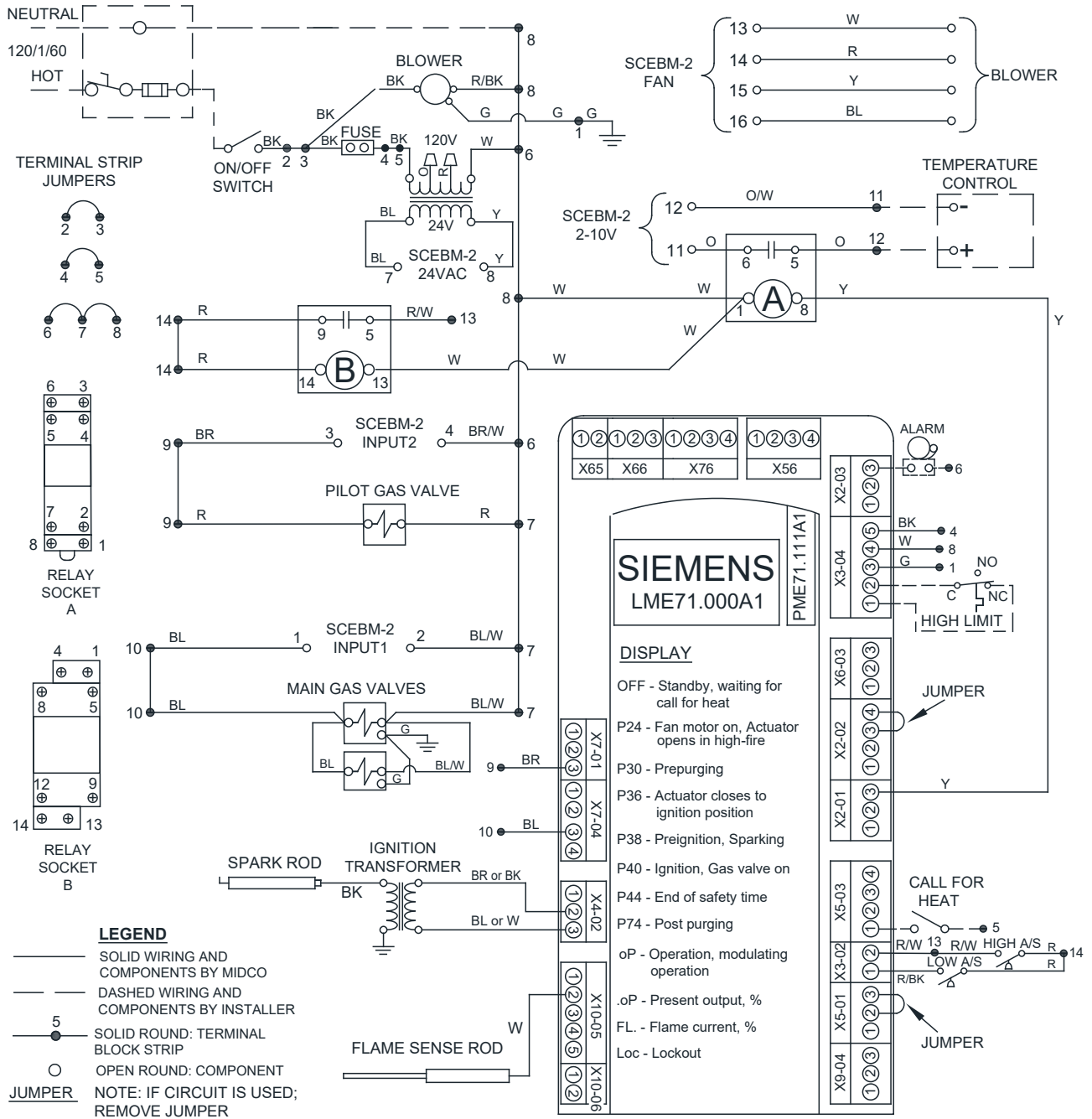


Figure 4C: Wiring Diagram for the VA series models 120V Intermittent Pilot Version with Siemens Flame Safeguard

Part 1 Installation

V Electrical Continued C - Wiring Instructions Continued

120V UV Interrupted Pilot Version with Siemens Flame Safeguard

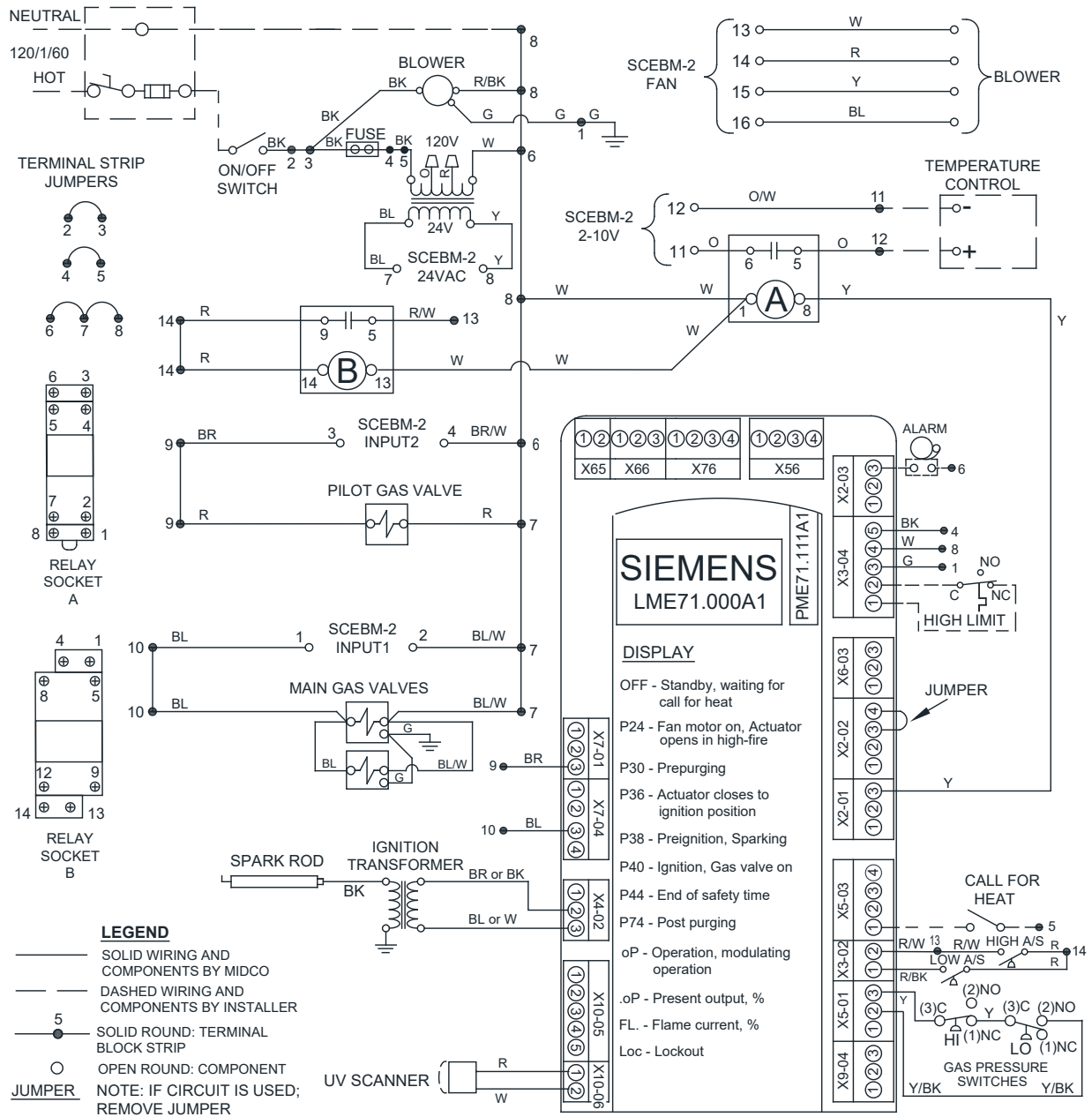


Figure 4D: Wiring Diagram for the VA series models
120V UV Interrupted Pilot Version with Siemens Flame Safeguard

24V Intermittent Pilot Version

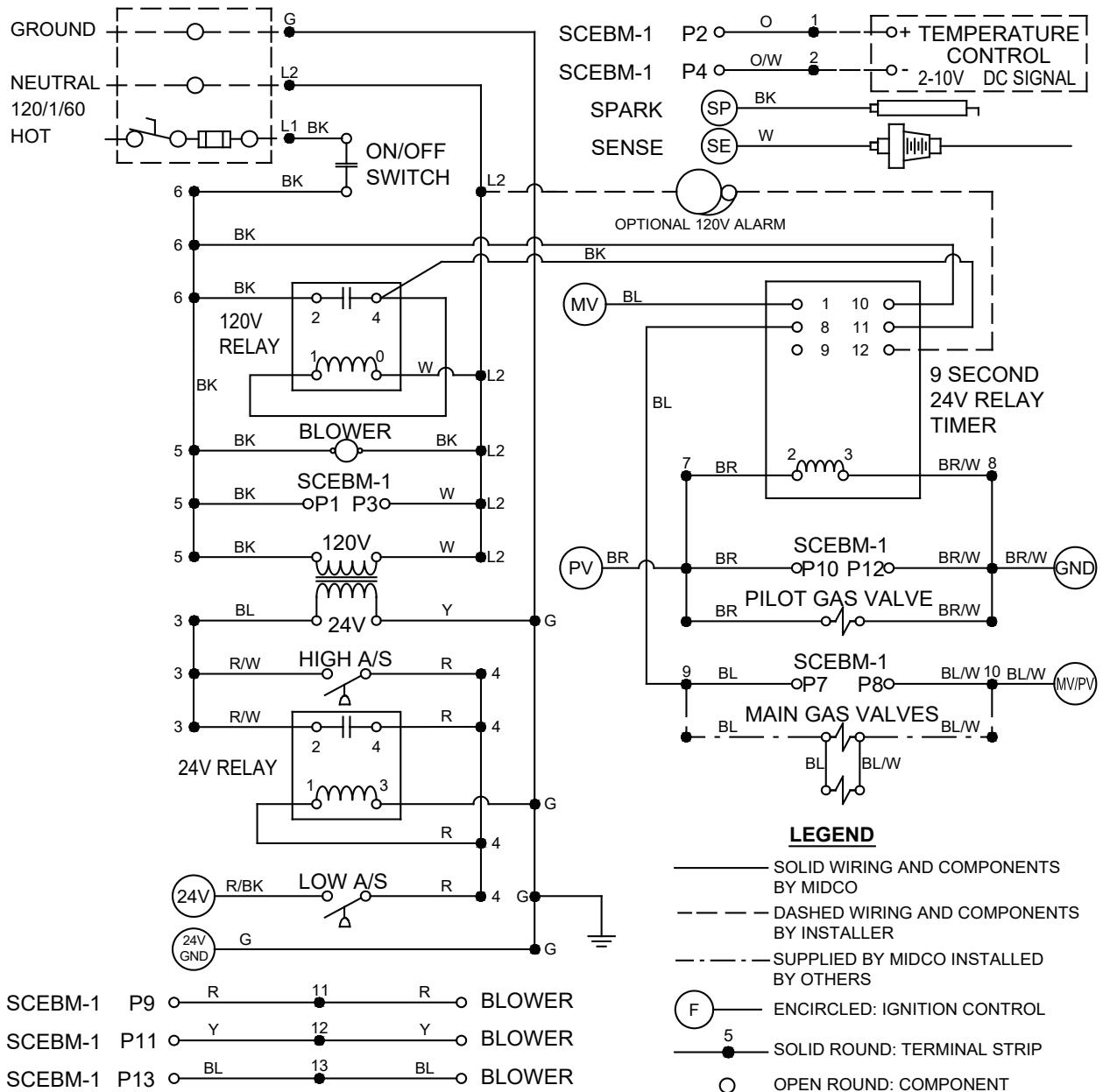


Figure 4E:
Wiring Diagram for the V1 and V2 models - 24V Intermittent Pilot Version